



*Where safety comes first!*

# 2010 PRODUCT LINE



**MADE IN AMERICA WITH PRIDE**

**HUGS** One LLC

1202 78<sup>th</sup> Street S., Suite C, Tampa, FL 33619

1-888-4-hugsafety (1-888-448-4723)

[www.hugsafety.com](http://www.hugsafety.com)

# TABLE OF CONTENTS

	Page
About HUGS One LLC	1
HUG Bracket	2
Quick Bracket 2x4	3
Quick Bracket 2X6	4
Special Quick Brackets	5
Hawaii Bracket 2x4	6
Hawaii Bracket 2x6	7
Special Hawaii Brackets	8
Adapter Bracket	9
Adapter Bracket Strap	10
Stanchion HUG	11
Opening Bracket	12
Wall Bracket – Type A	13
Wall Bracket – Type B	14
Disclaimer	15

# About HUGS One LLC

- HUGS One LLC is a Hispanic American, veteran-owned small business with more than 30 years experience in the construction and roofing industries.
- We have produced quality Horizontal Under-eave Guardrail Systems (HUGS) and other fall prevention safety hardware for the construction and roofing industries since 2005.
- Made in the USA, our products are designed to meet or exceed ANSI and OSHA standards, providing one of the lowest cost, 360 degree perimeter and opening safety fall prevention systems in the industry.
- Our organization works hard to develop, manufacture and sell quality fall prevention safety products, provide on-time delivery and on-site training at competitive prices.
- From our manufacturing facilities in the mid-west, HUGS One LLC ships to many general contractors, as well as building and roofing suppliers, safety companies, and distributors across the United States.



*Where safety comes first!*

# HUG BRACKET

**Item #:** HB 1001

**Retail Price:** \$130.00 each

**Brand:** HUGS One LLC

**Description:** Re-usable component of the HUGS passive fall prevention safety system. Steel construction, durable powder coated finish in safety orange. For use with HUGS Quick Bracket (QB series), Hawaii Bracket (H series), or Adapter Bracket (AB1001).

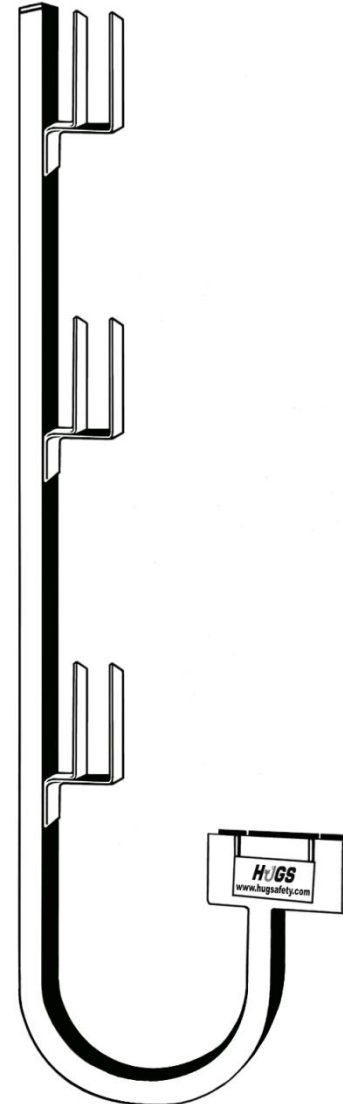
**Approximate Dimensions:** 60" x 17-1/2" x 2-1/4".

**Application:** Flat or pitched roofs, decking, highway and railroad overpass and bridge work, stairwells, access openings, multi-story work, new construction, remodeling, historical restorations, etc.

**Usually ships:** 7 – 10 days



**MADE IN AMERICA WITH PRIDE**



# QUICK BRACKET 2x4

**Item #:** QB 24

**Retail Price:** \$5.56

**Brand:** HUGS One LLC

**Description:** Nail-on component of the HUGS passive fall prevention safety system. Galvanized steel construction. For use with HUG Bracket. (HB 1001).

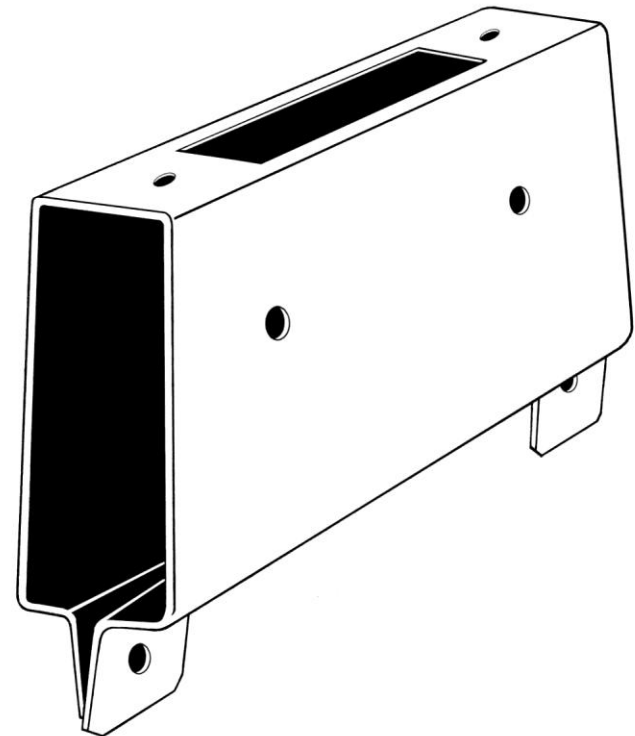
**Approximate Dimensions:** 7" x 4-7/8" x 1-3/4".

**Application:** Install QB 24 on 2 x 4 truss and rafter tails and mount HUG Bracket HB 1001 to the QB 24 Bracket. The installed QB 24 can be re-used for future fall prevention needs.

**Usually ships:** 7 – 10 days



**MADE IN AMERICA WITH PRIDE**



# QUICK BRACKET 2x6

**Item #:** QB 26

**Retail Price:** \$6.56 each

**Brand:** HUGS One LLC

**Description:** Nail-on component of the HUGS passive fall prevention safety system. Galvanized steel construction. For use with HUG Bracket. (HB 1001).

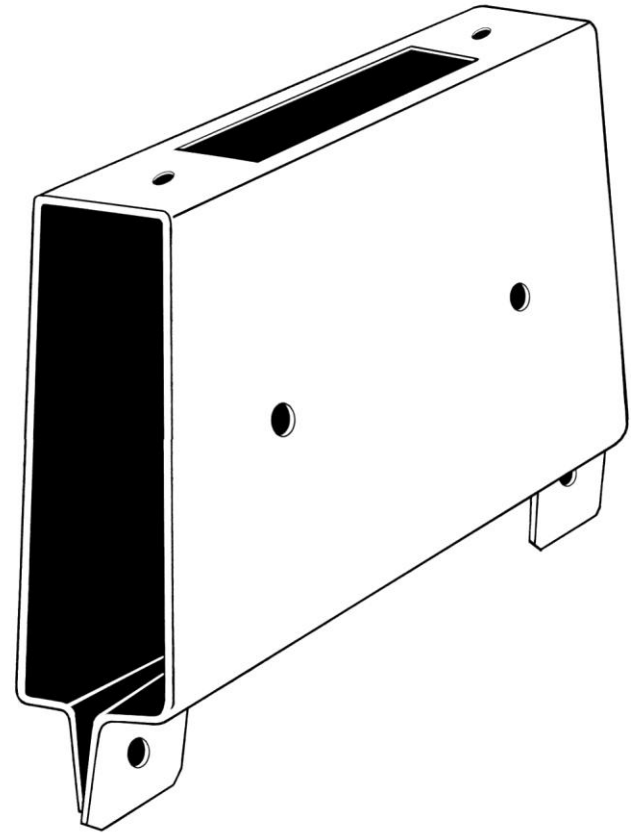
**Approximate Dimensions:** 7" x 6-7/8" x 1-3/4".

**Application:** Install QB 26 on 2 x 6 truss and rafter tails and mount HUG Bracket HB 1001 to the QB 26 Bracket. The installed QB 26 can be re-used for future fall prevention needs.

**Usually ships:** 7 – 10 days



**MADE IN AMERICA WITH PRIDE**



# SPECIAL QUICK BRACKETS

**Item #:** QB 28 (2x8), QB 210 (2x10), and QB 212 (2x12)

**Retail Price:** Call for Pricing – Special Order

**Brand:** HUGS One LLC

**Description:** Nail-on component of the HUGS passive fall Prevention safety system. Galvanized steel construction. For use with HUG Bracket, Item HB 1001.

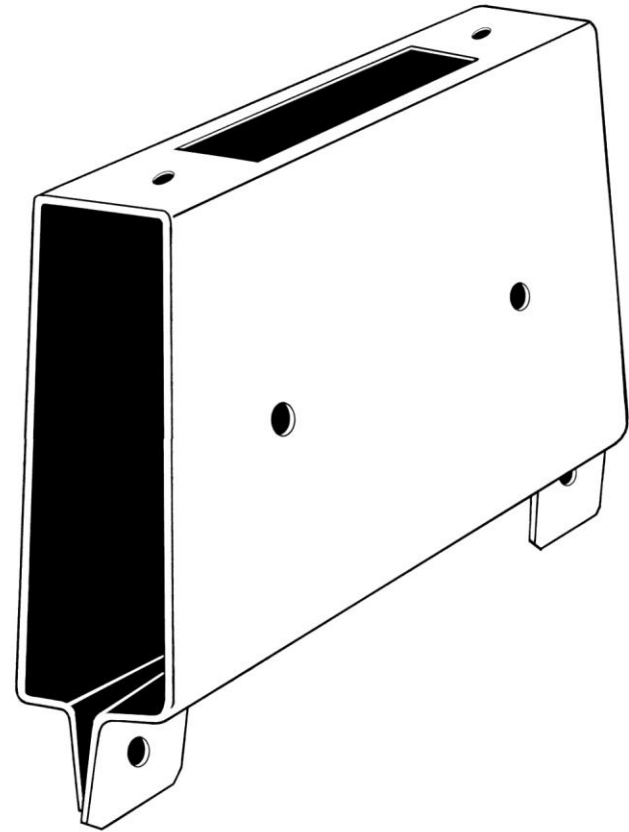
**Approximate Dimensions:** 7" x 8-7/8" x 1-3/4" (QB 28), 7" x 10-7/8" x 1-3/4" (QB 210) and 7" x 12-7/8" x 1-3/4" (QB 212).

**Application:** Install QB series bracket (QB 28 on 2 x 8, QB 210 on 2 x 10, and QB 212 on 2 x 12 truss and rafter tails) and mount HUG Bracket HB 1001 to the QB series bracket. The installed QB 28, QB 210 and QB212 can be re-used for future fall prevention needs.

**Usually ships:** 4 to 6 weeks



**MADE IN AMERICA WITH PRIDE**



# HAWAII BRACKET 2x4

Item #: H 24

Retail Price: \$5.56

Brand: HUGS One LLC

**Description:** Screw-on, re-usable component of the HUGS passive fall prevention safety system. Galvanized steel construction. For use with HUG Bracket. (HB 1001).

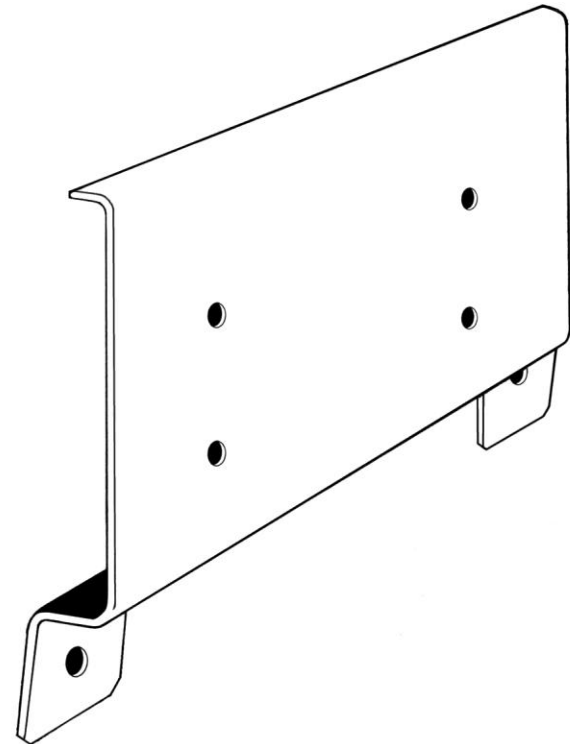
**Approximate Dimensions:** 7" x 4-7/8" x 7/8".

**Application:** Install H 24 on 2 x 4 truss and rafter tails and mount HUG Bracket HB 1001 to the H 24 Bracket. The installed H 24 can be used for re-roofing applications, open soffit, new construction, remodeling, historical restorations, etc.

Usually ships: 7 – 10 days



**MADE IN AMERICA WITH PRIDE**



# HAWAII BRACKET 2x6

**Item #:** H 26

**Retail Price:** \$6.56

**Brand:** HUGS One LLC

**Description:** Screw-on, re-usable component of the HUGS passive fall prevention safety system. Galvanized steel construction. For use with HUG Bracket. (HB 1001).

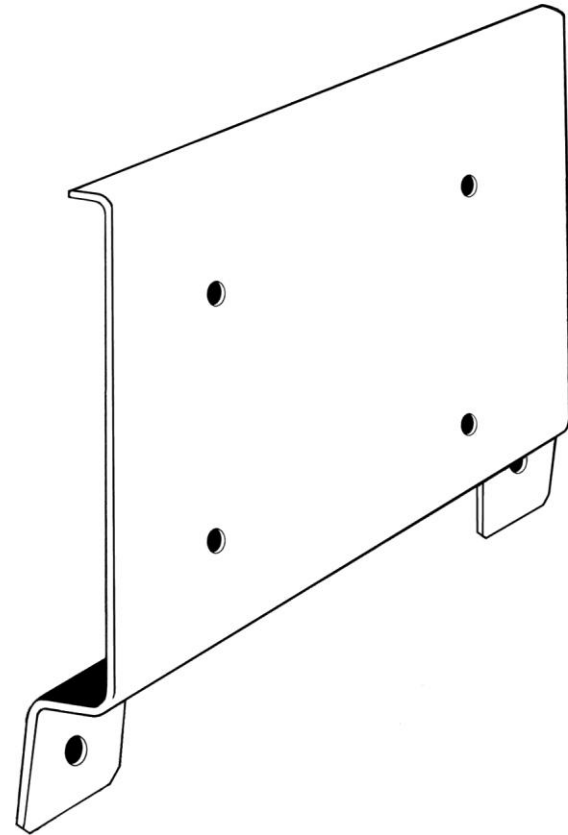
**Approximate Dimensions:** 7" x 6-7/8" x 7/8".

**Application:** Install H 26 on 2 x 6 truss and rafter tails and mount HUG Bracket HB 1001 to the H 26 Bracket. The installed H 26 can be used for re-roofing applications, open soffit, new construction, remodeling, historical restorations, etc.

**Usually ships:** 7 – 10 days



**MADE IN AMERICA WITH PRIDE**



# SPECIAL HAWAII BRACKETS

**Item #:** H 28 (2x8), H210 (2x10), and H 212 (2x12)

**Retail Price:** Call for Pricing – Special Order

**Brand:** HUGS One LLC

**Description:** Screw-on, re-usable component of the HUGS passive fall prevention safety system. Galvanized steel construction. For use with HUG Bracket. (HB 1001).

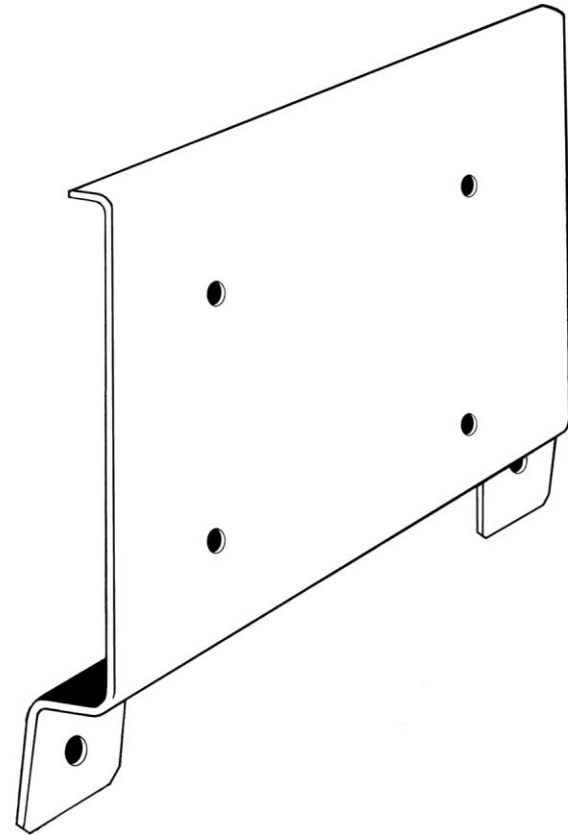
**Approximate Dimensions:** 7" x 8-7/8" x 7/8" (H 28), 7" x 10-7/8" x 7/8" (H210), and 7" x 12-7/8" x 7/8" (H 212).

**Application:** Install H series bracket (H 28 on 2 x 8, H 210 on 2 x 10, and H 212 on 2 x 12 truss and rafter tails) and mount HUG Bracket HB 1001 to the H series bracket. The installed H 28, H 210, and H212 can be used for re-roofing applications, open soffit, new construction, remodeling, historical restorations, etc.

**Usually ships:** 4 to 6 weeks



**MADE IN AMERICA WITH PRIDE**



# ADAPTER BRACKET

**Item #:** AB 1001

**Price:** \$59.89

**Brand:** HUGS One LLC

**Description:** Multipurpose, re-usable component of the HUGS passive fall prevention safety system. Heavy gauge steel construction with durable powder coated finish in safety orange. For use with Adapter Bracket Strap and HUG Bracket. Fasteners not included.

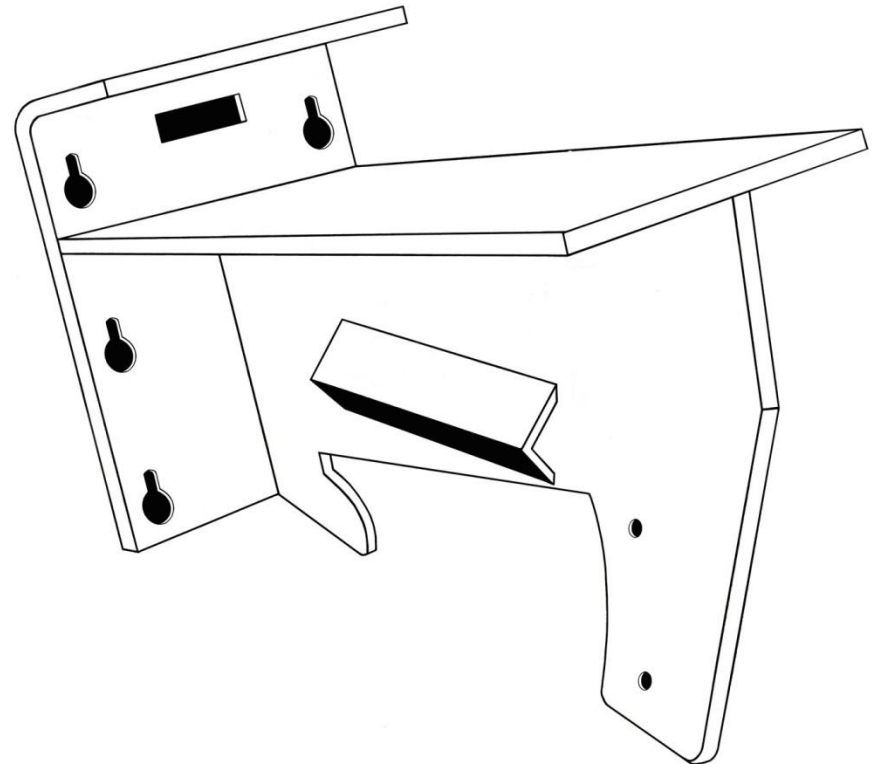
**Approximate Dimensions:** 9-1/8" x 8-1/2" x 5".

**Application:** Flat roofs and decking, highway and railroad overpass and bridge work, stairwells, access openings, second story work, etc.

**Usually Ships:** 7 – 10 days



**MADE IN AMERICA WITH PRIDE**



# ADAPTER BRACKET STRAP

**Item #:** ABS 1001

**Price:** \$2.09

**Brand:** HUGS One LLC

**Description:** Consumable component of the HUGS passive fall prevention safety system. Galvanized steel construction. For use with Adapter Bracket. Fasteners not included.

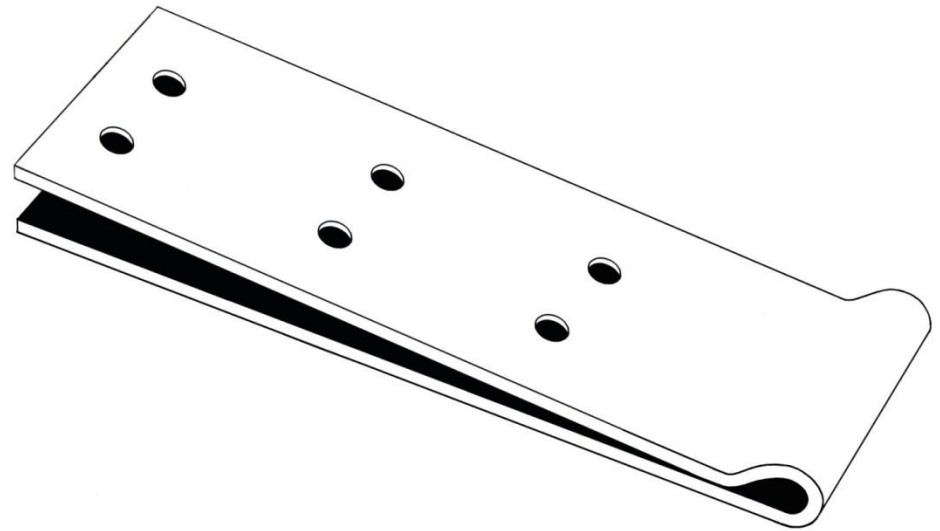
**Approximate Dimensions:** 4" x 1-1/2" x 1/2".

**Application:** Flat roofs and decking, highway and railroad overpass and bridge work, stairwells, access openings, multi-story work, etc.

**Usually Ships:** 7 – 10 days



**MADE IN AMERICA WITH PRIDE**



# STANCHION HUG

**Item #:** SH 1001

**Price:** \$72.00

**Brand:** HUGS One LLC

**Description:** Multipurpose, re-usable plate-mounted safety rail bracket. Heavy gauge steel construction with durable powder coated finish in safety orange. Fasteners, rails, and tie straps not included.

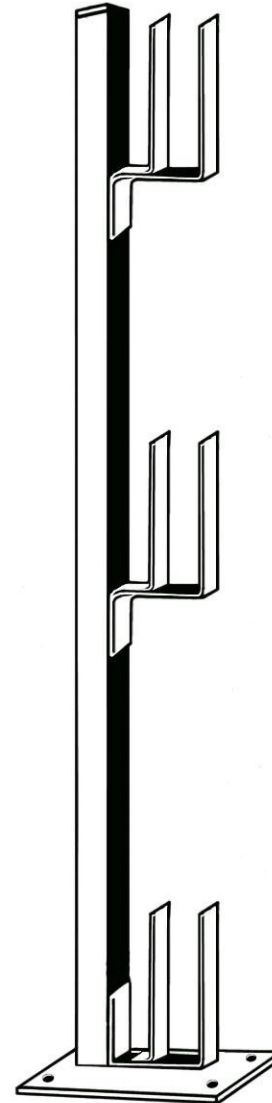
**Approximate Dimensions:** 42" x 7" x 9".

**Application:** Flat roofs and decking, highway and railroad overpass and bridge work, stairwells, access openings, skylight openings, multi-story work, etc.

**Usually Ships:** 7 – 10 days



**MADE IN AMERICA WITH PRIDE**



# OPENING BRACKET

Item #: OB 1001

Price: \$8.00

Brand: HUGS One LLC

**Description:** Multipurpose, re-usable fall prevention bracket. Heavy gauge steel construction with durable powder coated finish in safety orange. Fasteners, rails, and tie straps not included.

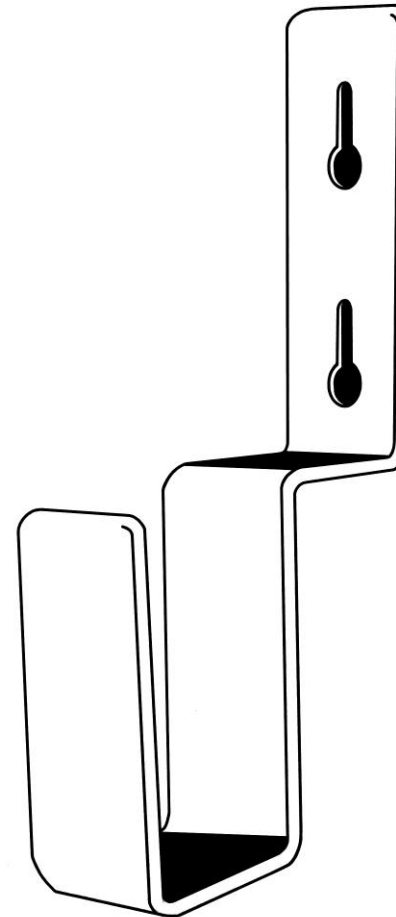
**Approximate Dimensions:** 7" x 7-3/4" x 3".

**Application:** Window, door, elevator shaft, stairwell, balcony, platform, multi-story work, access and other openings, etc.

**Usually Ships:** 7 – 10 days



**MADE IN AMERICA WITH PRIDE**



# WALL BRACKET – TYPE A

**Item #:** WB A 1001

**Price:** \$10.00

**Brand:** HUGS One LLC

**Description:** Multipurpose, re-usable fall prevention bracket. Heavy gauge steel construction with durable powder coated finish in safety orange

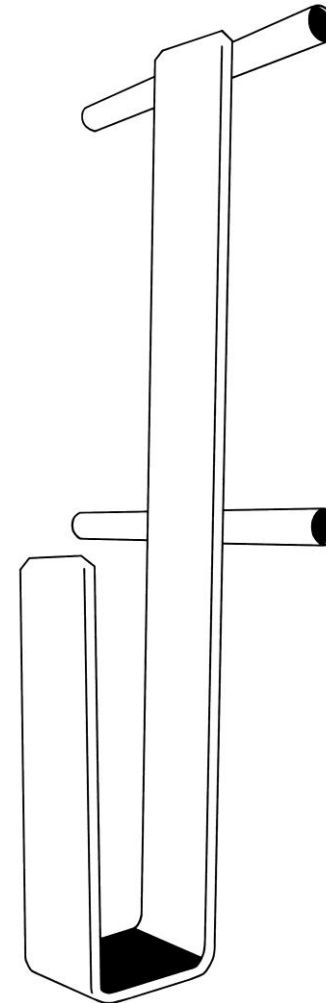
**Approximate Dimensions:** 13" x 4-1/4" x 2-1/2".

**Application:** Window, door, elevator shaft, stairwell, balcony, platform, multi-story work, access and other openings, etc.

**Usually Ships:** 7 – 10 days



**MADE IN AMERICA WITH PRIDE**



# WALL BRACKET – TYPE B

Item #:WBB 1001

Price: \$10.00

Brand: HUGS One LLC

**Description:** Multipurpose, re-usable fall prevention bracket. Heavy gauge steel construction with durable powder coated finish in safety orange

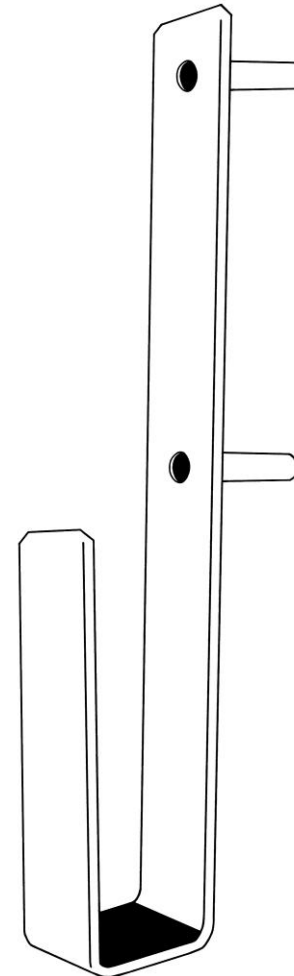
**Approximate Dimensions:** 12-3/4" x 1-1/4" x 5-14".

**Application:** Window, door, elevator shaft, stairwell, balcony, platform, multi-story work, access and other openings, etc.

**Usually Ships:** 7 – 10 days



**MADE IN AMERICA WITH PRIDE**



# Disclaimer

- Prices may vary and are subject to change based on many variables including project specifications, quantity ordered, etc. Please call for detailed price quotes.
- Product dimensions are approximate and may vary based on design changes, manufacturing variance and other factors.
- Fasteners, rails, tie straps and other materials that may be required for HUGS installation not specifically described herein are not included in the price and must be purchased separately.
- Estimated shipment time is based on a typical order and is subject to change based on lead time, availability, project location, etc. Please call for detailed shipment information.